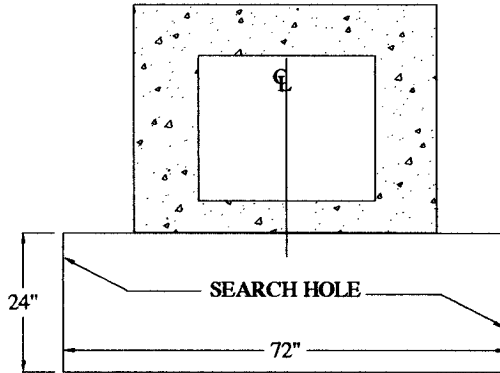
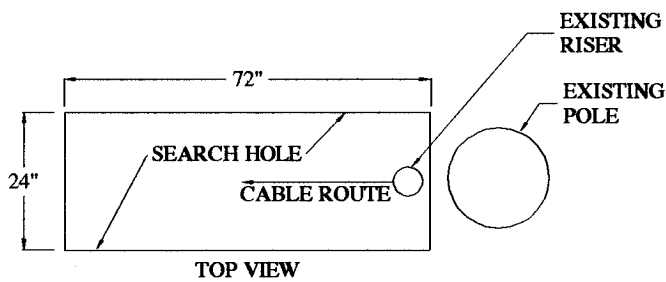


SIDE VIEW

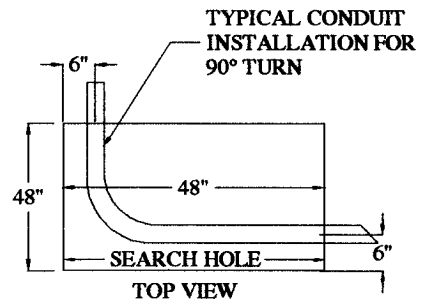


TOP VIEW

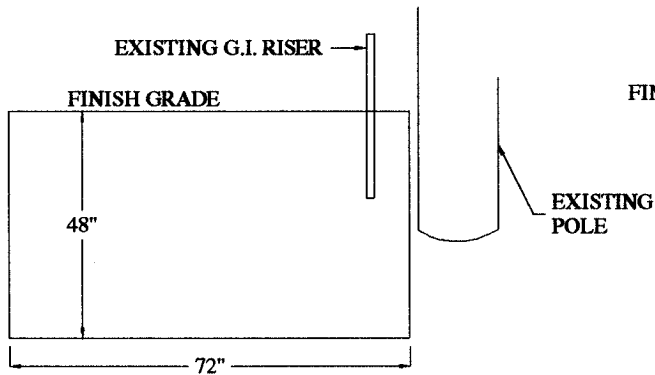
**DETAIL FOR SEARCH HOLE @ PADMOUNT TRANSFORMER**



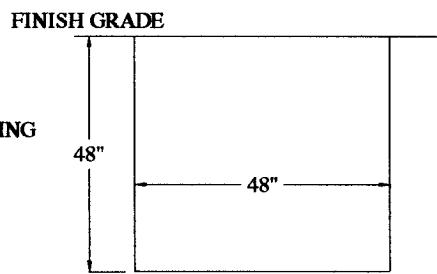
TOP VIEW



TOP VIEW



SIDE VIEW



SIDE VIEW

**DETAIL FOR SEARCH HOLE @ RISER**

**DETAIL FOR MID-SPAN SEARCH HOLE**

TITLE:

DETAIL FOR TYPICAL SEARCH HOLES TUNNEL BORING CONDUIT PLACEMENT

**GARLAND**  
POWER & LIGHT

APPROVED:

STANDARD NO.:

REF - 42

REVISED: DATE: APPROVED:  
CP