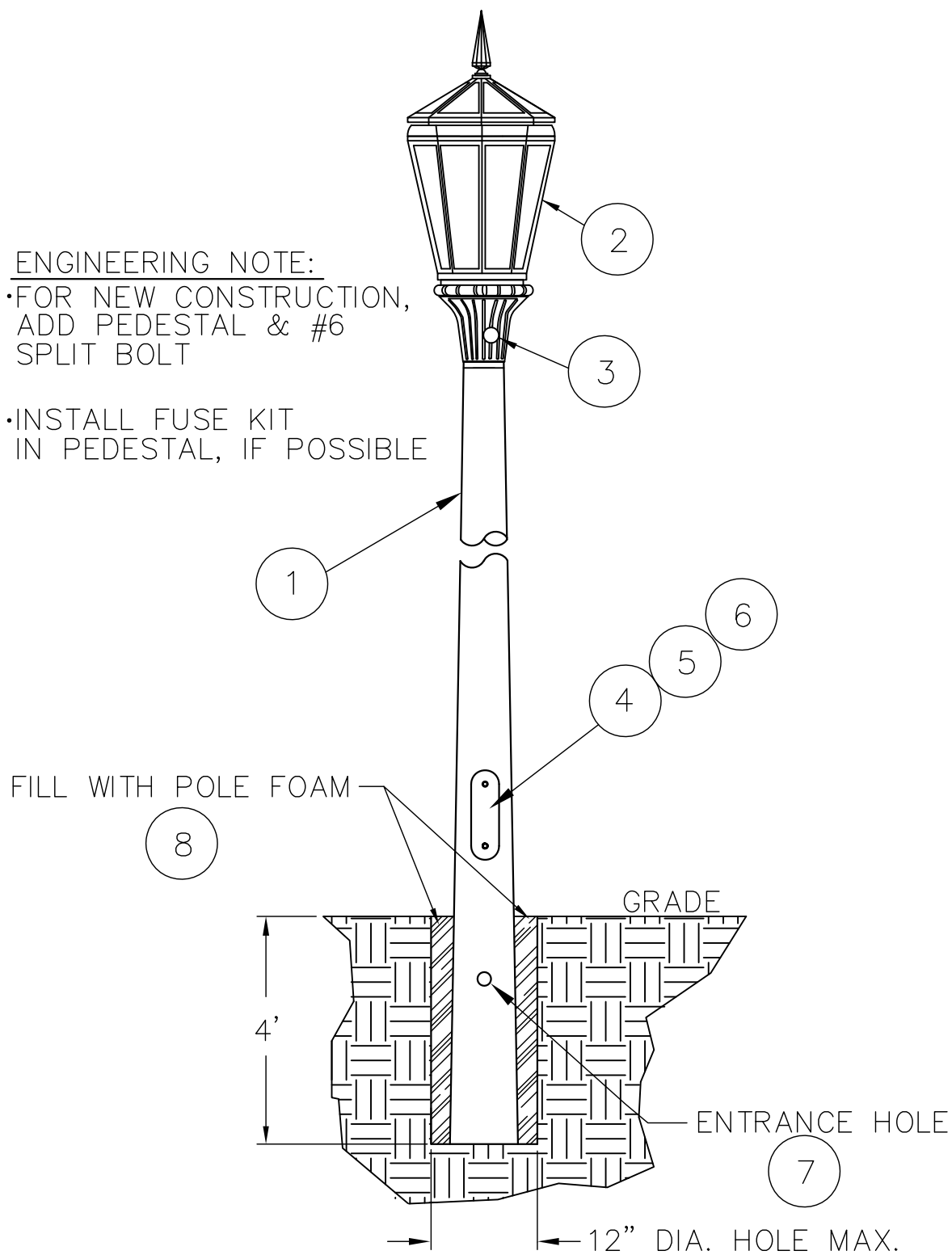


ENGINEERING NOTE:

- FOR NEW CONSTRUCTION, ADD PEDESTAL & #6 SPLIT BOLT
- INSTALL FUSE KIT IN PEDESTAL, IF POSSIBLE



TITLE:

STYLE 5  
HALOPHANE ARLINGTON  
LED 100 WATT HPS  
EQUIVALENT STREETLIGHT  
BLACK ROUND TAPERED  
POLE

**GARLAND**  
POWER & LIGHT

STANDARD NO.:

UG-2942D

DRAWN BY: CY/JC	DATE: 3/7/16	APPROVED BY: DM 3/7/16
REVISED BY:	DATE:	APPROVED BY:

