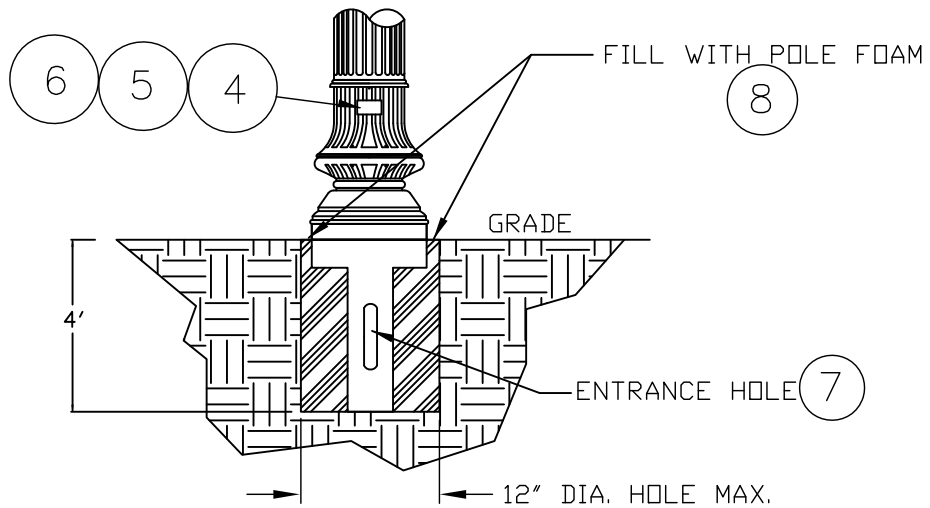


ENGINEERING NOTE:
 FOR NEW CONSTRUCTION,
 ADD PEDESTAL & #6
 SPLIT BOLT

INSTALL FUSE KIT
 IN PEDESTAL, IF POSSIBLE.



TITLE:

STYLE 5
 HALOPHANE ARLINGTON
 LED 100 WATT HPS
 EQUIVALENT STREETLIGHT
 BLACK WASHINGTON
 POLE

GARLAND
 POWER & LIGHT

STANDARD NO.:

UG-2941D

DRAWN BY: CY/JC	DATE: 3/4/16	APPROVED BY: DM 3/9/16
REVISED BY:	DATE:	APPROVED BY:

Construction Standard No.

UG-2941D

Title: STYLE 5 HALOPHANE ARLINGTON, LED 100 WATT HPS
EQUIVALENT STREETLIGHT, BLACK WASHINGTON POLE

Rev. Date: 1/14/2016

Pic #	Description	IBM NO.	Qty
1	POLE STREET LIGHT 15' DECORATIVE AMERICAN BLACK AP2015FS11	528-67-75200	1
2	LUMINAIRE, STREET DÉCOR, LED 100 WATT HPS EQUIVALENT, STYLE 5	528-50-75200	1
3	NODE, DECORATIVE, PHOTOCONTROLLER	528-65-13010	1
4	CONNECTOR FUSED KIT	285-32-60100	1
5	FUSE, NON-RENEWABLE, 8 AMP. 600 VOLT	285-32-21500	1
6	#12 CABLE TYPE SIS STR SWBD 500 FT ROLL- truck stock	280-16-13605	100'
7	ELBOW PVC 1-1/2" 90 DEG ELEC PLAIN END 25/BX	285-14-72114	1
8	POLECRETE FOAM POLE STABILIZER 1 GAL	210-13-07105	1

Garland Power & Light



UG-2941D