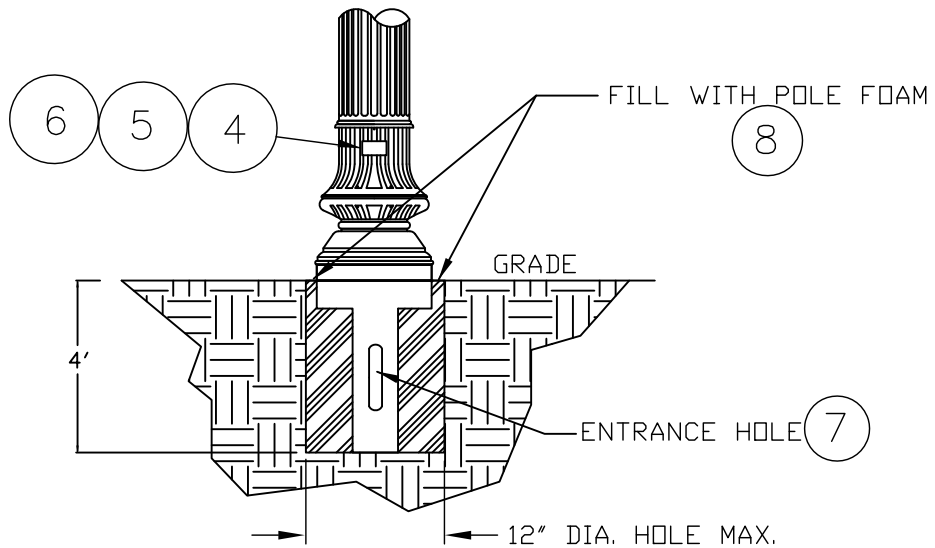


ENGINEERING NOTE:
 FOR NEW CONSTRUCTION,
 ADD PEDESTAL & #6
 SPLIT BOLT

INSTALL FUSE KIT
 IN PEDESTAL, IF POSSIBLE.



TITLE:

STYLE 4
 HALOPHANE GRANVILLE
 LED 100 WATT HPS
 EQUIVALENT STREETLIGHT
 BLACK WASHINGTON
 POLE

GARLAND
 POWER & LIGHT

STANDARD NO.:

UG-2941C

DRAWN BY: CY/JC	DATE: 3/4/16	APPROVED BY: DM 3/4/16
REVISED BY:	DATE:	APPROVED BY:

