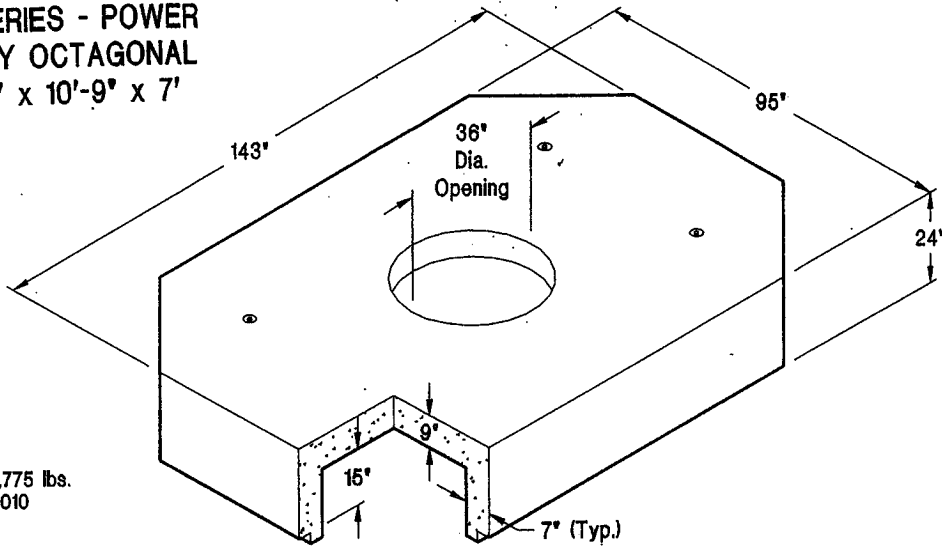
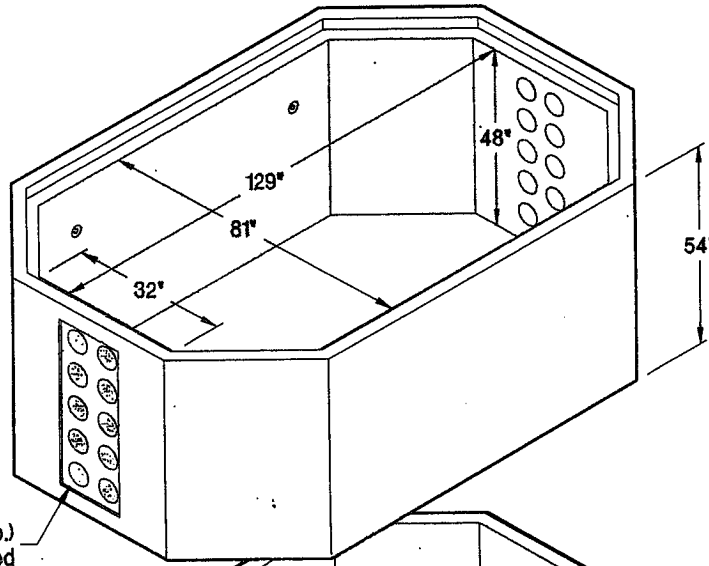


**911 SERIES - POWER
2-WAY OCTAGONAL
6'-9" x 10'-9" x 7'**



15" Top

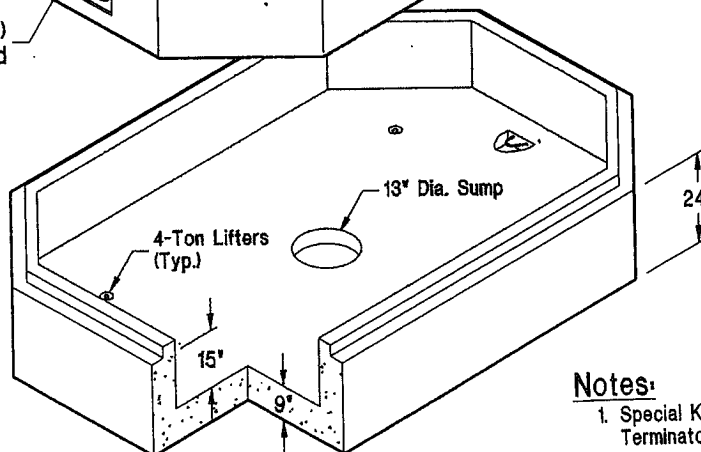
Weight - 13,775 lbs.
Item# - 033010



54" Extension

Weight - 12,575 lbs.
Item# - 033030

6" Terminators (Typ.)
Location As Required



15" Bottom

Weight - 14,500 lbs.
Item# - 033020

Notes:

1. Special Knockouts, Pulling Irons and Terminators Per Customer Spec.

DRAWN BY:	DATE: 3/30/05	APPROVED BY: CP
REVISED BY:	DATE:	APPROVED BY:

TITLE:

2-WAY MANHOLE

GARLAND
POWER & LIGHT

STANDARD NO.:
UG-2605-1