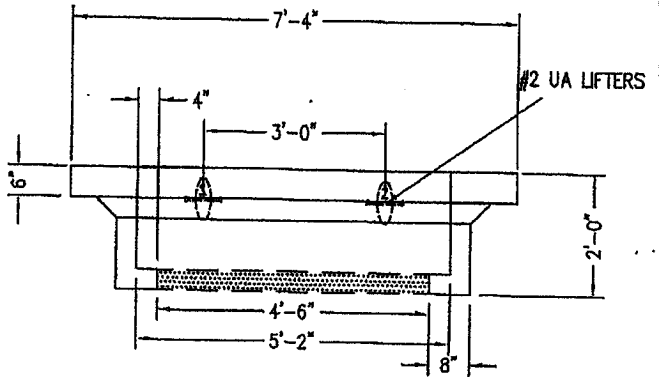
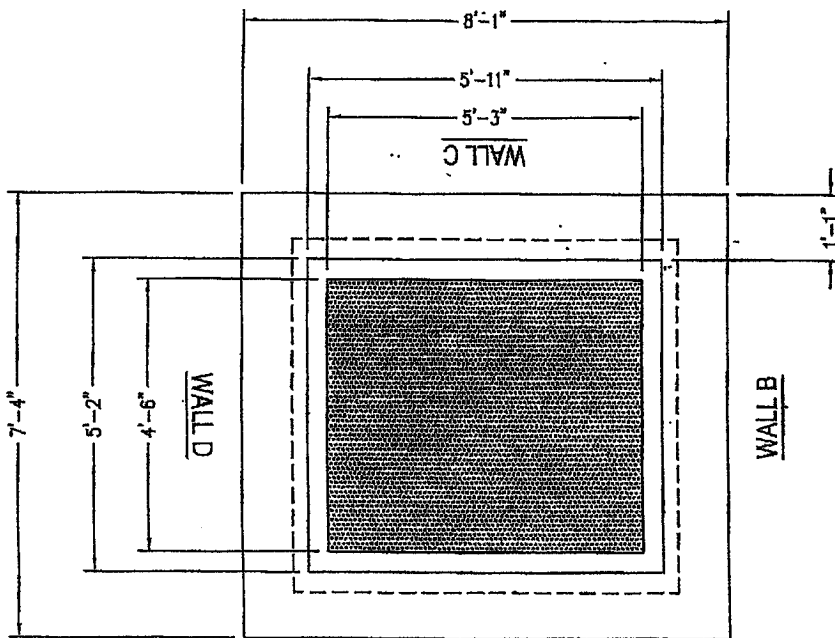


WALLS A & C



WALLS B & D



WALL A
PLAN VIEW

NOTE:
APPROXIMATE
WEIGHT IS 3450 LBS

TITLE:

PMAS/SWITCH GEAR
CONCRETE PAD

GARLAND
POWER & LIGHT

STANDARD NO.:

UG-2601

DRAWN BY:	DATE:	APPROVED BY:
		CP
REVISED BY:	DATE:	APPROVED BY:
JC	3/22/05	

CONSTRUCTION STANDARD NO. : UG-2601

TITLE: PMAS/SWITCHGEAR CONCRETE PAD

REV. DATE: 4/8/2005

PIC. #	DESCRIPTION	IBM NO.	QTY.
2	PAD CONCRETE PRECAST DEEPWELL 62 X 71 X 20	210-55-26000	1