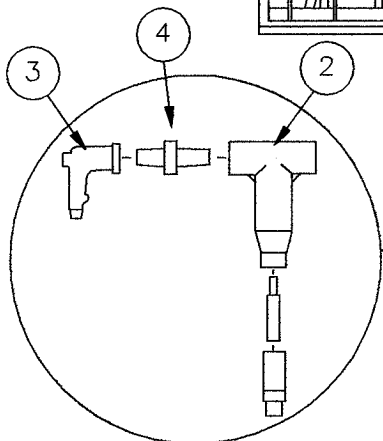
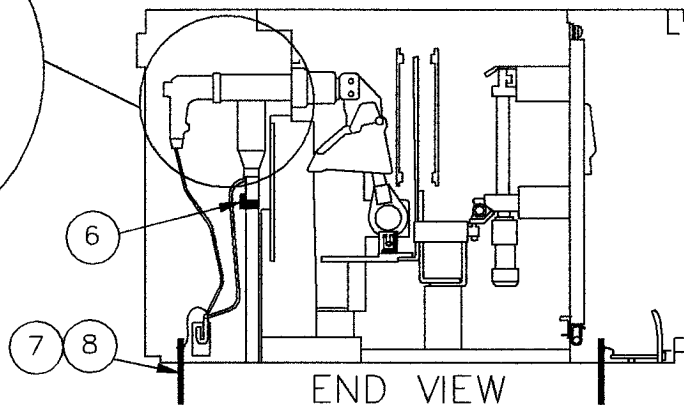


200 AMPS SIDE VIEW

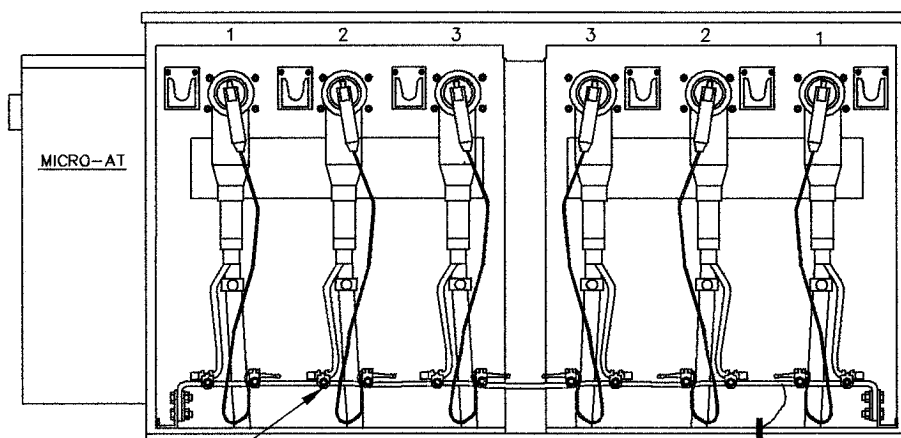


600 AMPS



200 AMPS

END VIEW



600 AMPS SIDE VIEW

TITLE:

600-200 COMMON  
BUS AUTO THROWOVER

**GARLAND**  
POWER & LIGHT

STANDARD NO.:

UG-2462

DRAWN BY: GL	DATE: 11/9/04	APPROVED BY: CP
-----------------	------------------	--------------------

REVISED BY:	DATE:	APPROVED BY:
-------------	-------	--------------

**CONSTRUCTION STANDARD NO. : UG-2462****TITLE: 600-200 COMMON BUSS AUTO THROWOVER**

REV. DATE: 3/22/2005

PIC. #	DESCRIPTION	IBM NO.	QTY.
1	SWITCH GEAR 600 AMP DEAD FRONT MAN. OPER. SPRING LOAD, 3-WAY	287-80-84805	1
2	ELBOW T-BODY 600 AMP 1000 MCM 175-220 MIL INSULATION	285-19-19133	6
3	ARRRESTOR, ELBOW, M.O.V. 9KV FOR 200 AMP LOAD BREAK BUSHING	286-04-20010	6
4	PLUG TAP REDUCING FOR 600 AMP ELBOW LOAD BREAK	285-19-19075	6
5	CONNECTOR DOUBLE BOLT SWIVEL CAP CU TO CU 500 MCM	285-18-18520	12
6	FAULT INDICATOR LOAD TRACKER PADMOUNT - SINGLE PHASE	286-30-10345	6
7	CLAMP GROUND ROD 5/8"	285-13-16025	2
8	ROD GROUNDING 5/8" X 8'	285-36-15108	2