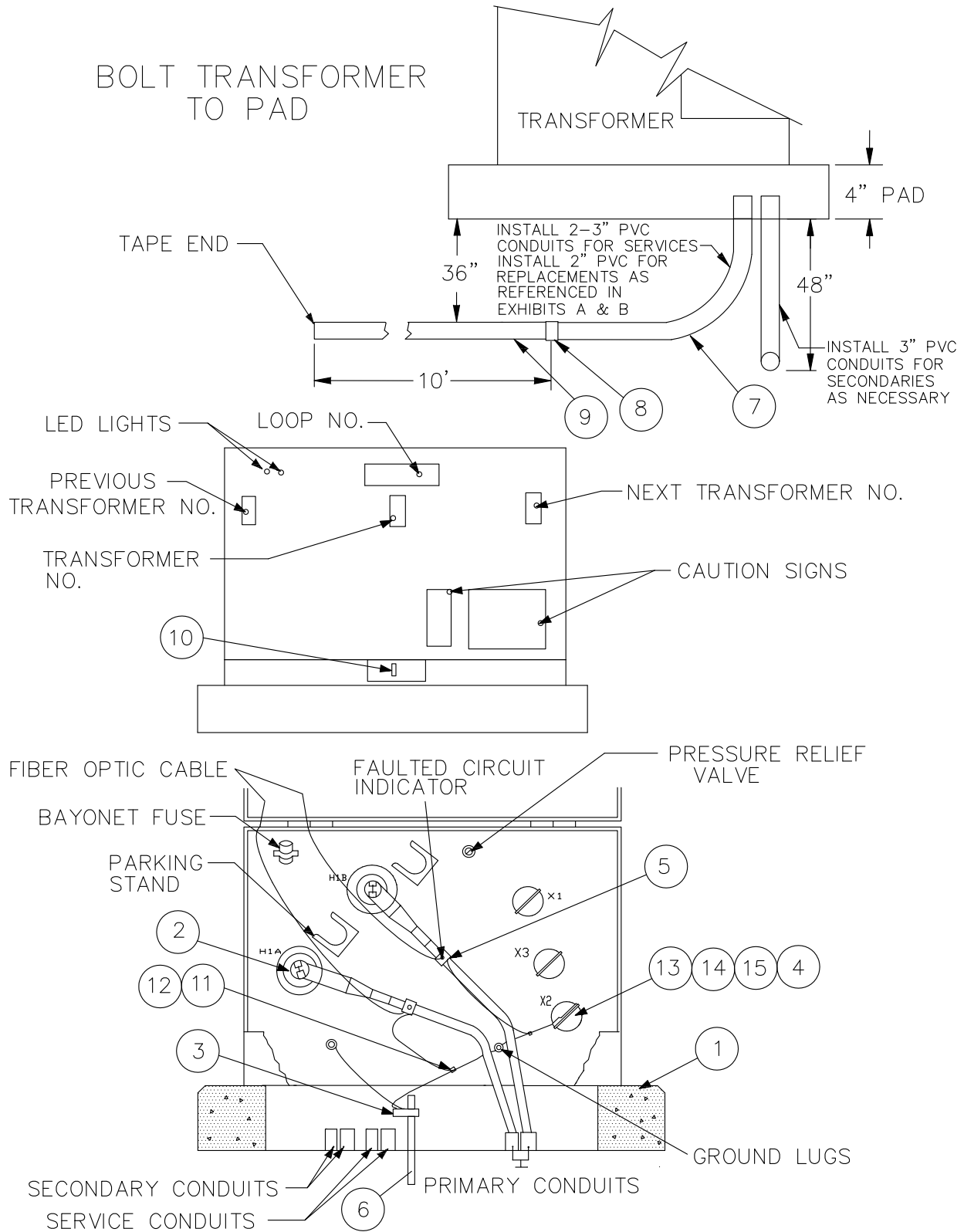


# BOLT TRANSFORMER TO PAD



TITLE:

## TRANSFORMER INSTALLATION



STANDARD NO.:

UG-2425

DRAWN BY: CP	DATE: 8/30/01	APPROVED BY:
REVISED BY: JC	DATE: 2/13/14	APPROVED BY: DM