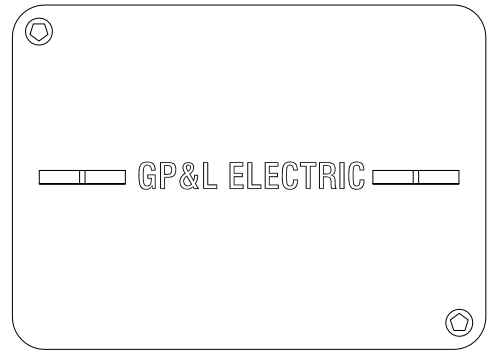
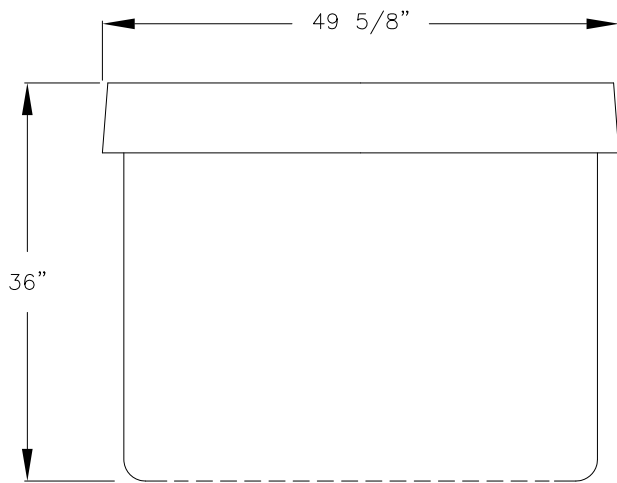


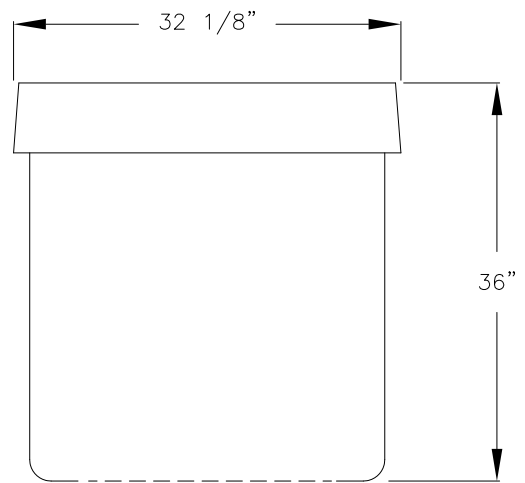
TOP VIEW  
W/ OUT COVER



PEDESTAL COVER



FRONT VIEW



SIDE VIEW

DRAWN BY: JC	DATE: 9/13/10	APPROVED BY:
REVISED BY:	DATE:	APPROVED BY:

TITLE:

30"x48"x36"  
SINGLE-PHASE PULL BOX  
(NON-TRAFFIC BEARING)

**GARLAND**  
POWER & LIGHT

STANDARD NO.:  
UG-2310

