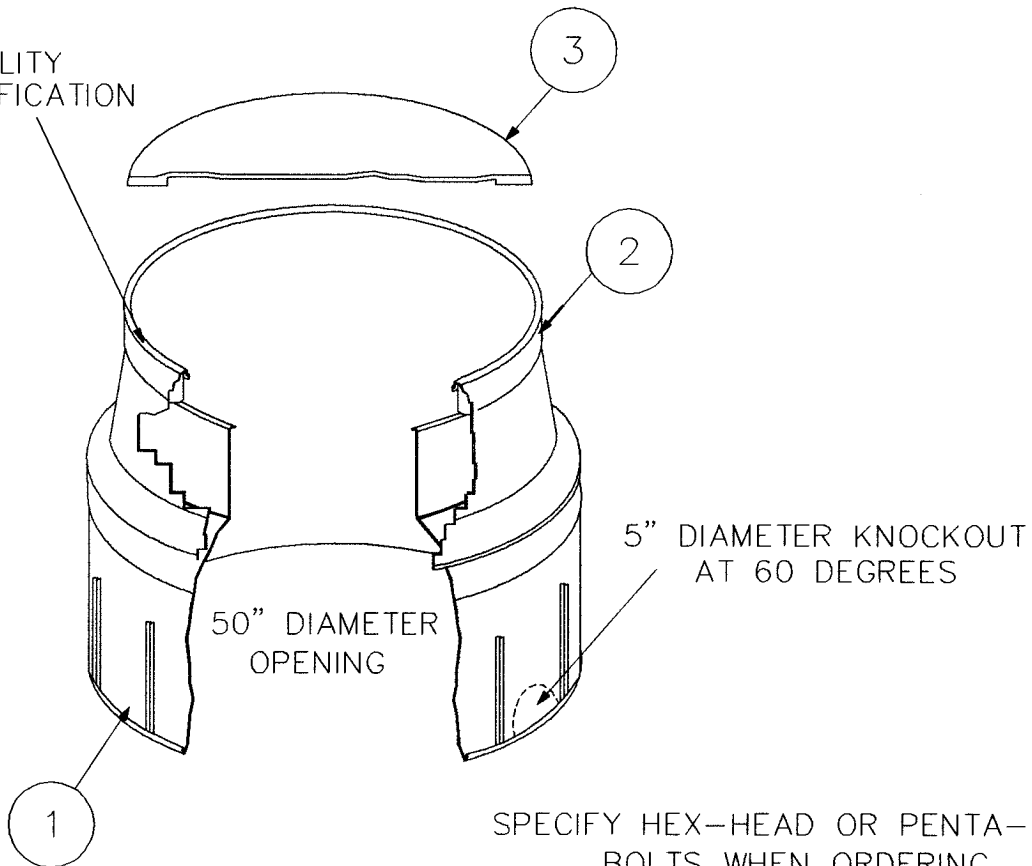
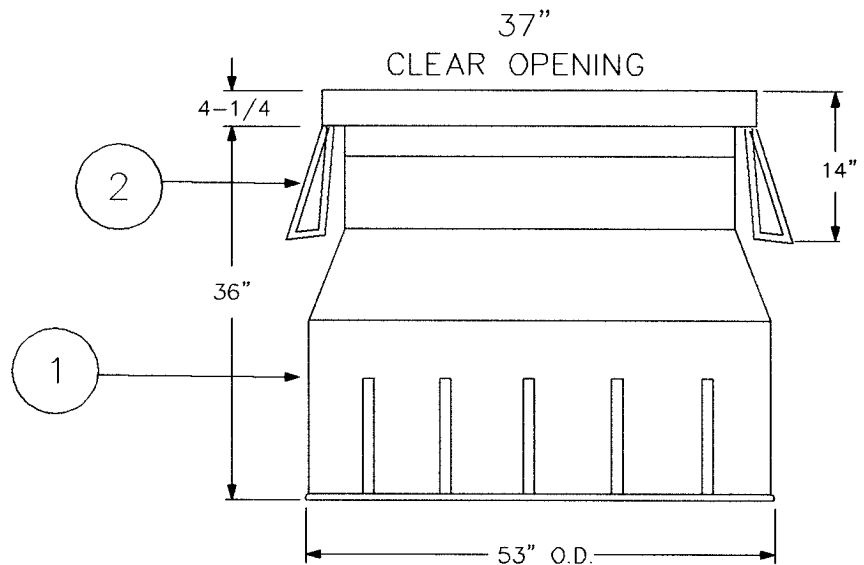


UTILITY IDENTIFICATION



SPECIFY HEX-HEAD OR PENTA-HEAD BOLTS WHEN ORDERING



DRAWN BY:	DATE:	APPROVED BY:
		CP
REVISED BY:	DATE:	APPROVED BY:
GL	6/30/04	

TITLE:  
PULL VAULT  
(NON-TRAFFIC BEARING)

**GARLAND**  
POWER & LIGHT  
STANDARD NO.:  
UG-2305

**CONSTRUCTION STANDARD NO. : UG-2305**

**TITLE: PULL VAULT (NON TRAFFIC BEARING)**

REV. DATE: 5/21/2002

PIC. #	DESCRIPTION	IBM NO.	QTY.
1	SWITCH ENCLOSURE 5436A VAULT BOTTOM	286-27-11400	1
2	CONE LEVELING 5436B - 5436-4 P 436-4 VAULT TOP	286-27-11401	1
3	COVER RPM PARKWAY LOADING 39-1/4" DIA. PENTA HEAD BOLTS VAULT LID	286-27-11402	1