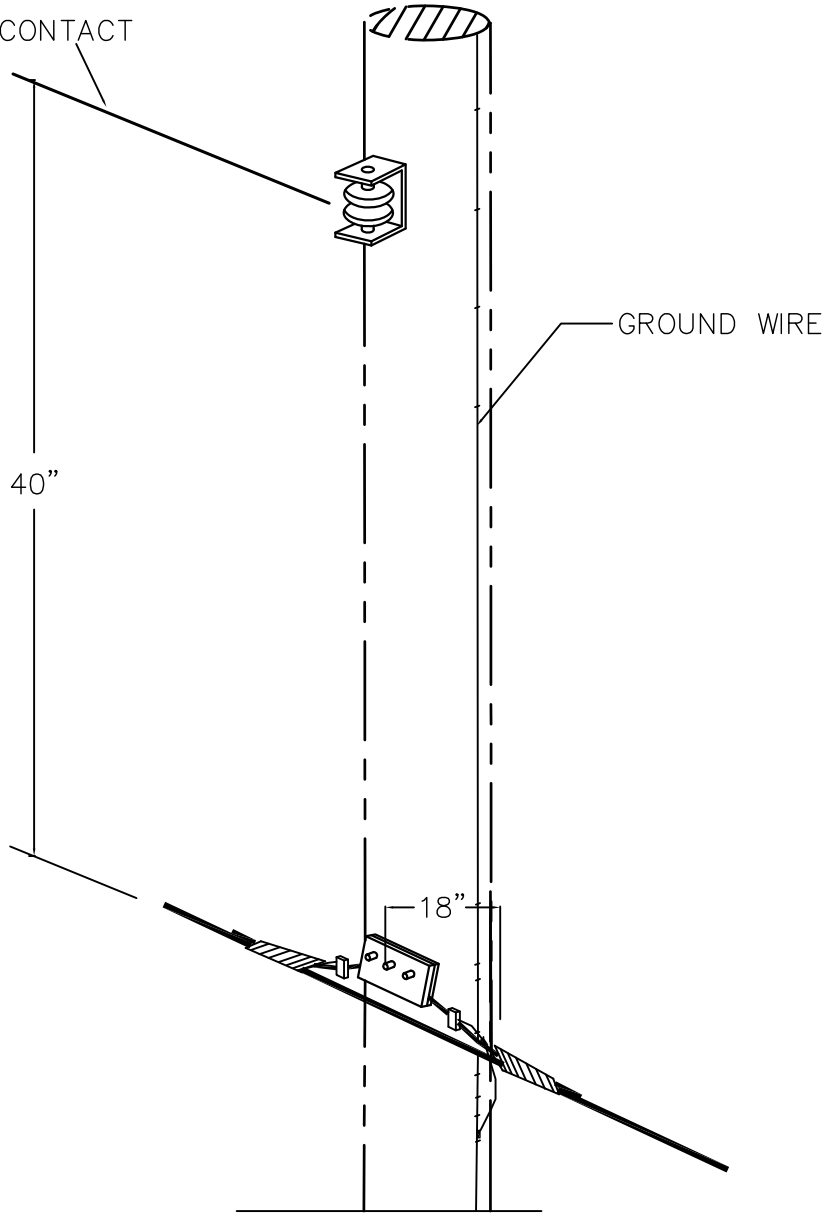


LOWEST GP&L CONTACT



TITLE:

FOREIGN ATTACHMENT
IN-LINE CONSTRUCTION

GARLAND
POWER & LIGHT

DRAWN BY: CY/JC	DATE: 9/20/17	APPROVED BY: DM
--------------------	------------------	--------------------

REVISED BY:	DATE:	APPROVED BY:
-------------	-------	--------------

STANDARD NO.:
OH-1780