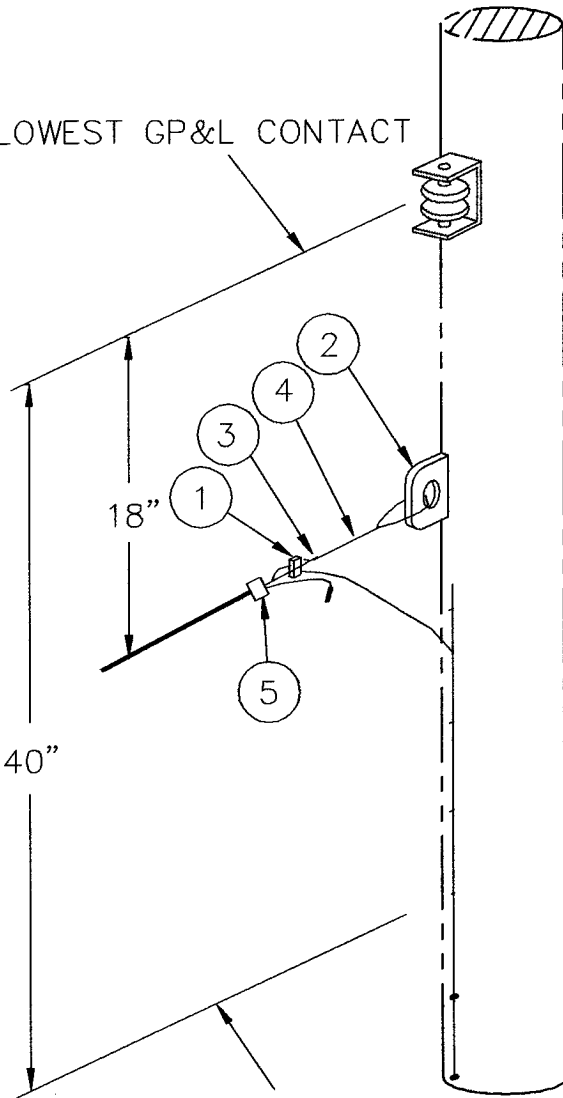
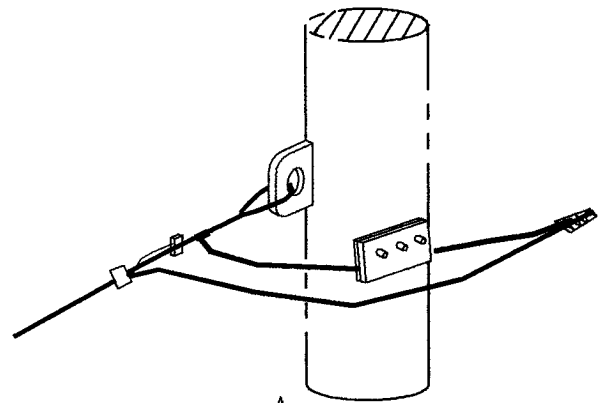


LOWEST GP&L CONTACT



TELEPHONE CONTACT



DEADEND SLACK SPAN

FOR REMOVAL ONLY

TITLE:

SUPERVISORY CABLE
DEADEND CONSTRUCTION

GARLAND
POWER & LIGHT

DRAWN BY: DATE: APPROVED BY:
CP

REVISED BY: DATE: APPROVED BY:

STANDARD NO.:

OH-1710