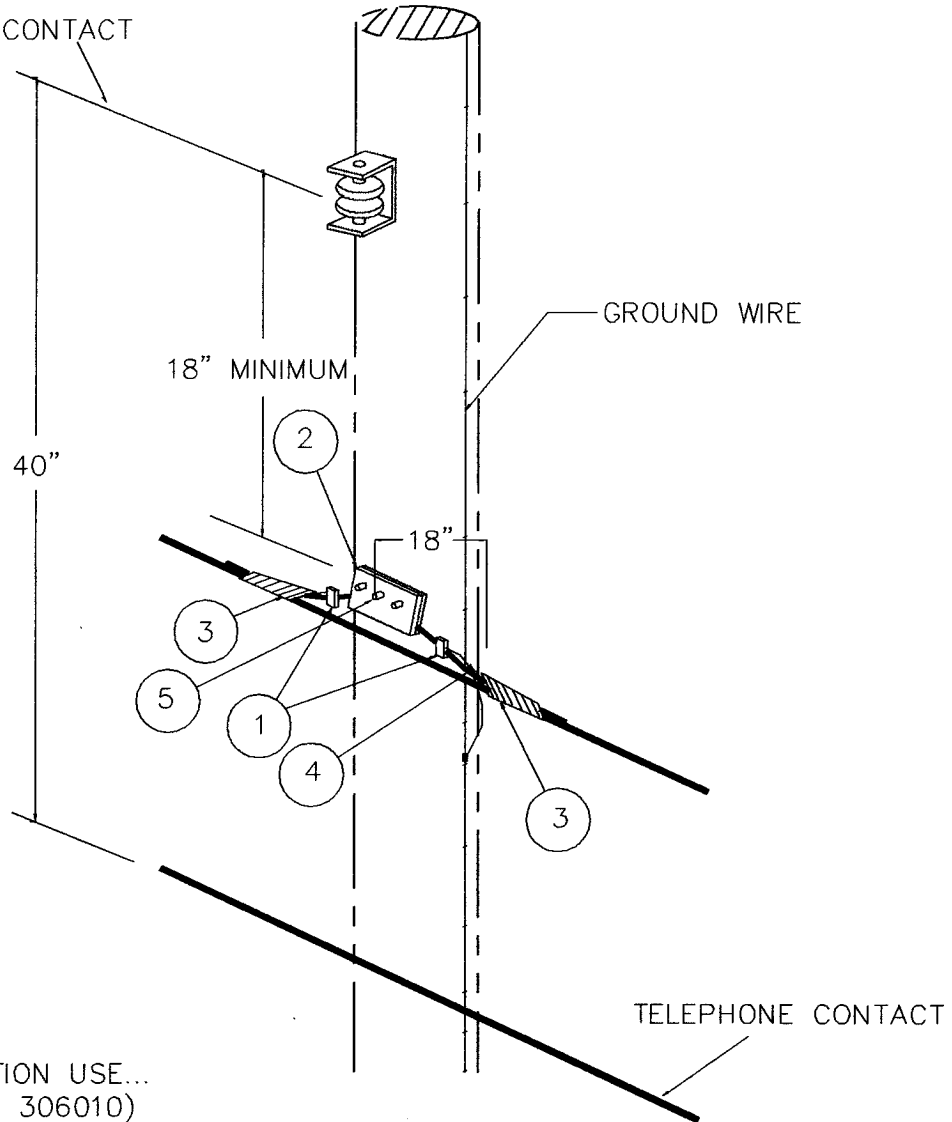


LOWEST GP&L CONTACT



ENGINEERING NOTE:
FOR NEW CONSTRUCTION USE...
LASHING WIRE (OH - 306010)
18" OF WIRE PER LINEAR FOOT
STRAPPING (OH - 30609)
5' PER POLE
5/8" EYE NUT 285-08-56640

FOR REMOVAL ONLY

TITLE:

SUPERVISORY CABLE
IN-LINE CONSTRUCTION

GARLAND
POWER & LIGHT

STANDARD NO.:
OH-1700

DRAWN BY:	DATE:	APPROVED BY: CP
-----------	-------	--------------------

REVISED BY:	DATE:	APPROVED BY:
-------------	-------	--------------