

**\*\*ENGINEERING NOTES:**

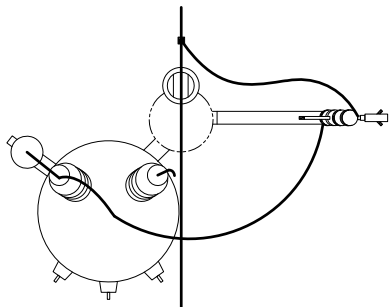
1. PHASE SIZE AND TYPE OF CONNECTOR TO BE SPECIFIED
2. TRANSFORMER POSITION QUARTER OPPOSITE A CROSS ARM OR RIDGEPIN, AWAY FROM NEUTRAL, TOP BOLT 4" ABOVE NEUTRAL BOLT.

TITLE:  
 SINGLE TRANSFORMER  
 ON SINGLE PHASE LINE

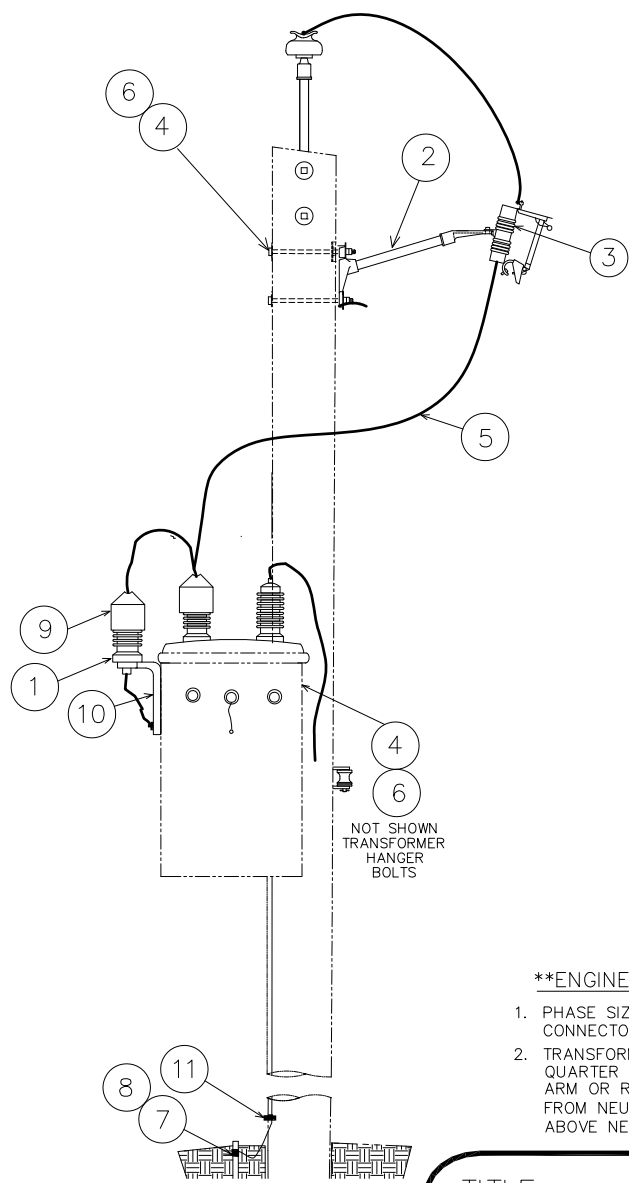
**GARLAND**  
 POWER & LIGHT

STANDARD NO.:  
 OH-1112

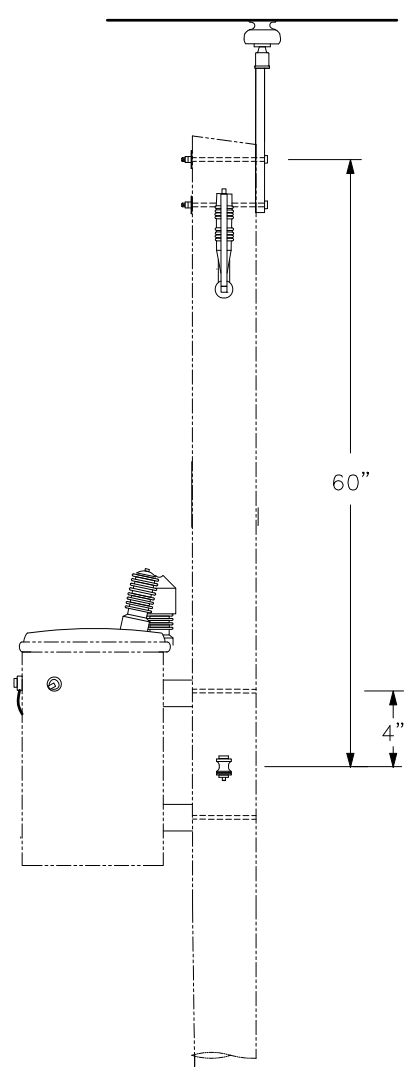
DRAWN BY: GL	DATE: 7/28/04	APPROVED BY: CP
REVISED BY:	DATE:	APPROVED BY:



PLAN VIEW



PROFILE VIEW



SIDE VIEW

**\*\*ENGINEERING NOTES:**

1. PHASE SIZE AND TYPE OF CONNECTOR TO BE SPECIFIED
2. TRANSFORMER POSITION QUARTER OPPOSITE A CROSS ARM OR RIDGEPIN, AWAY FROM NEUTRAL, TOP BOLT 4" ABOVE NEUTRAL BOLT.

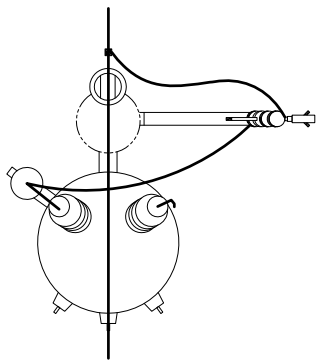
TITLE:  
 SINGLE TRANSFORMER  
 STANDARD 1-PHASE  
 CONSTRUCTION  
 NON-DEADEND, NO ANGLE  
 TRANSFORMER HUNG IN "QUARTER"  
 INTENT: REPAIR OF EXISTING  
 CONSTRUCTION

**GARLAND**  
 POWER & LIGHT

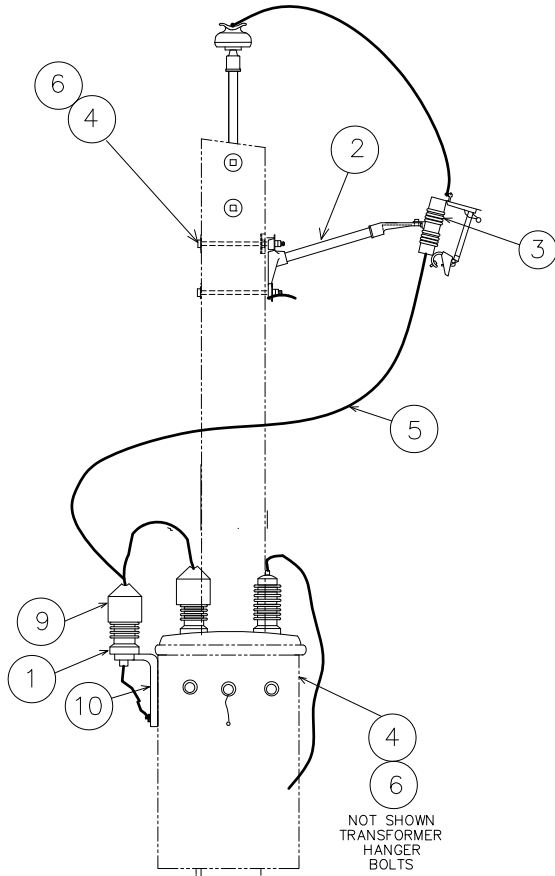
---

STANDARD NO.:  
 OH-1112Q

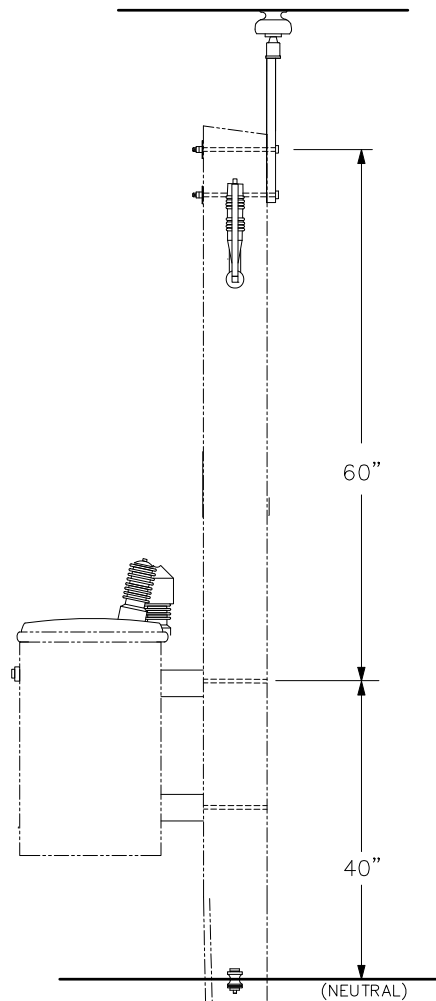
DRAWN BY: JC	DATE: 6/4/14	APPROVED BY:
REVISED BY:	DATE:	APPROVED BY:



PLAN VIEW



PROFILE VIEW



SIDE VIEW

**\*\*ENGINEERING NOTES:**

1. PHASE SIZE AND TYPE OF CONNECTOR TO BE SPECIFIED
2. TRANSFORMER POSITION IN "HALF" OF POLE ON OPPOSITE SIDE OF RIDGEPIN.

**TITLE:**

SINGLE TRANSFORMER  
STANDARD 1-PHASE  
CONSTRUCTION  
NON-DEADEND, NO ANGLE  
TRANSFORMER HUNG IN "HALF"  
INTENT: NEW CONSTRUCTION  
40' OR TALLER POLE

**GARLAND**  
POWER & LIGHT

STANDARD NO.:

OH-1112H

DRAWN BY: JC	DATE: 6/4/14	APPROVED BY:
REVISED BY:	DATE:	APPROVED BY:

**CONSTRUCTION STANDARD NO. : OH-1112****TITLE: SINGLE TRANSFORMER ON SINGLE PHASE LINE**  
Engineer to designate connection for cutout

REV. DATE: 10/3/2003

PIC. #	DESCRIPTION	IBM NO.	QTY.
1	ARRESTOR LIGHTING MOV TYPE 10KV, POLYMER	286-04-10010	1
2	ARM FIBERGLASS 21" BRACKET CUT OUT AND ARRESTOR	285-21-13776	1
3	CUTOUT 100 AMP 15 KV	286-19-10250	1
4	BOLT MACHINE 5/8" X 12" W/NUT	285-08-10786	4
5	CABLE, 5 KV # 2 AWG OKOGUARD	280-42-50005	5
6	NUT WASHER 5/8" THREAD JOSLYN	285-08-14674	4
7	CLAMP GROUND ROD 5/8"	285-13-16025	1
8	ROD GROUNDING 5/8" X 8'	285-36-15108	1
9	BIRD GUARD COVER, FARGO GS-555	285-39-24101	2
10	BRACKET LIGHTNING ARRESTOR OH1	285-38-19191	1
11	CONNECTOR CRIMPIT CU. #6 - #6	285-18-17010	1