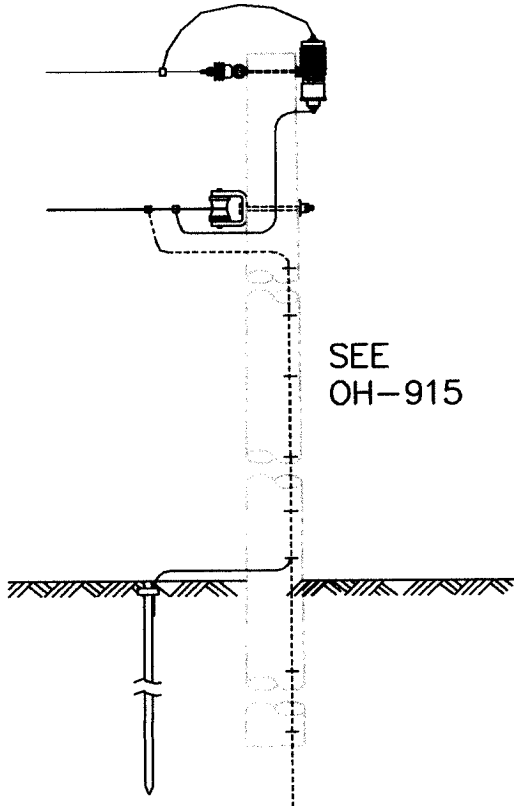


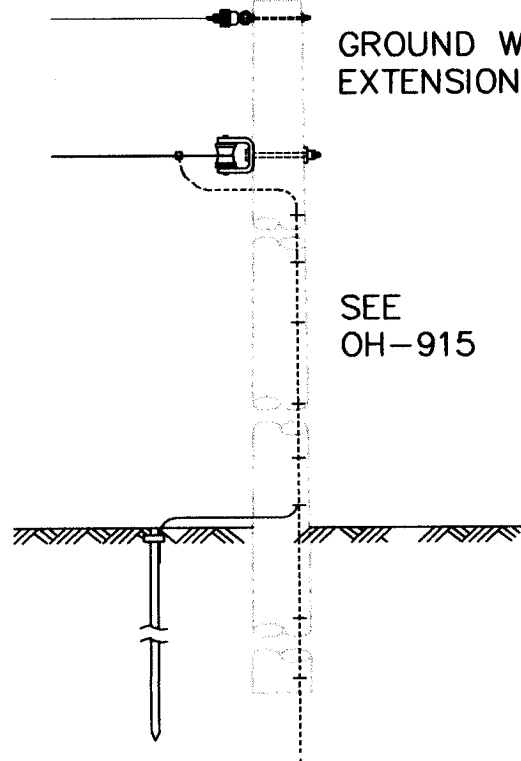
GROUND WIRE
TO BE CONTINUOUS
TO NEUTRAL
CONNECTION



SEE
OH-915

USE THIS CONFIGURATION
WHEN INSTALLING
LIGHTING ARRESTOR.

GROUND WIRE
EXTENSION



SEE
OH-915

USE THIS CONFIGURATION
WHEN NOT INSTALLING
LIGHTING ARRESTOR.

NOTE:

GROUND WIRE TO BE LOCATED IN QUADRANT
OPPOSITE CLIMBING SPACE.

STAPLES ON GROUND WIRE SHALL BE 2'-0"
APART EXCEPT FOR A DISTANCE OF 8'-0"
ABOVE GROUND AND 8'-0" FROM TOP OF POLE
WHERE THEY SHALL BE 6" APART.

DRAWN BY:	DATE:	APPROVED BY:
	3/16/05	CP
REVISED BY:	DATE:	APPROVED BY:
JC	3/16/05	

TITLE:

GROUNDING ASSEMBLY
DEADEND

GARLAND
POWER & LIGHT

STANDARD NO.:

OH-910

SHEET 1 OF 2